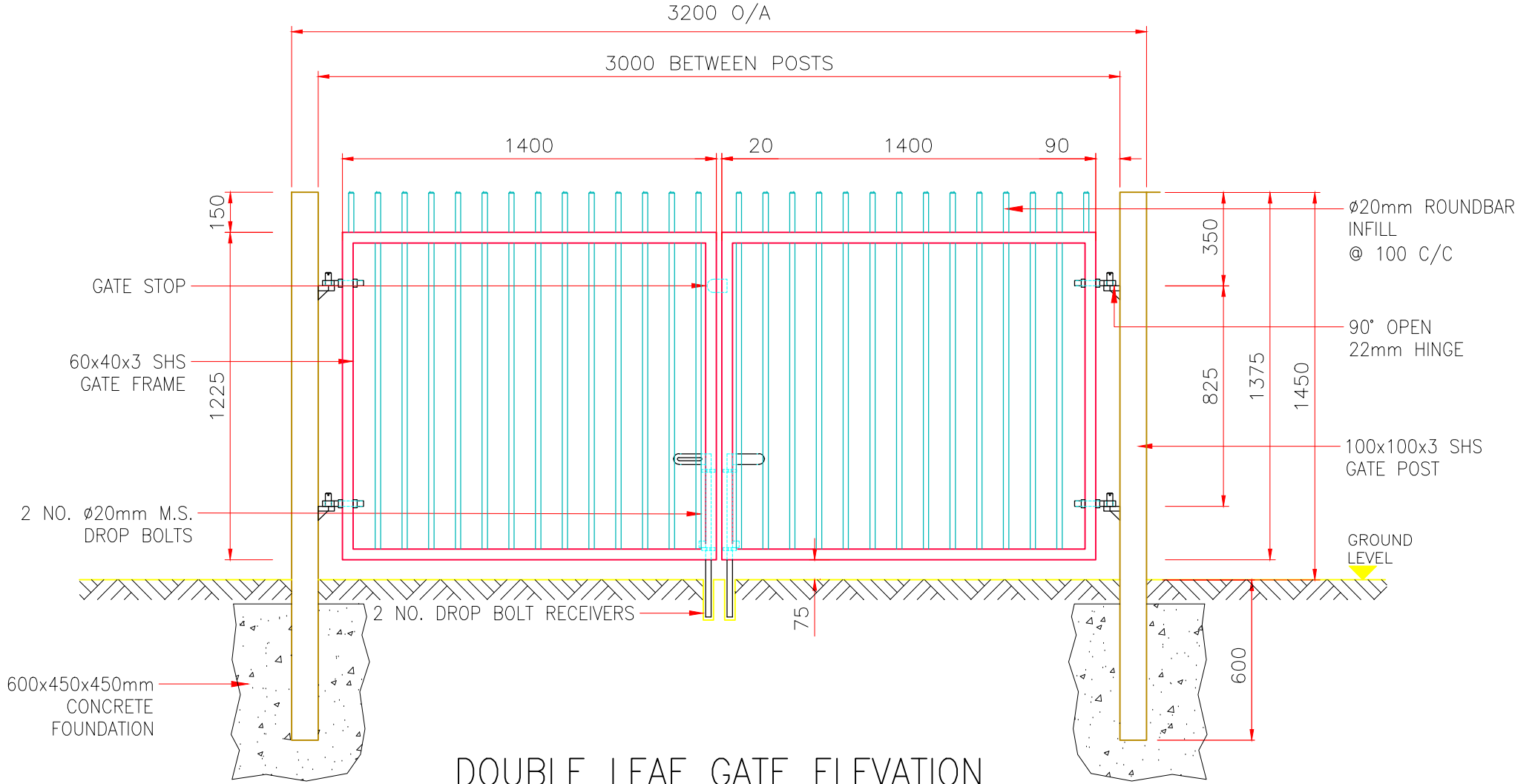
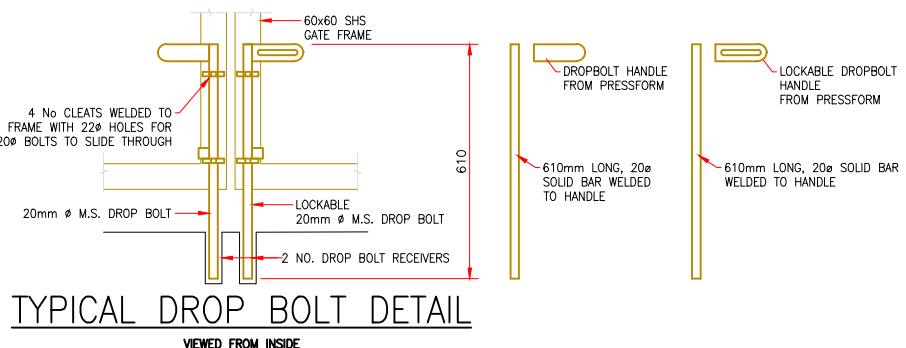


ALL DIMENSIONS TO BE CONFIRMED ON SITE

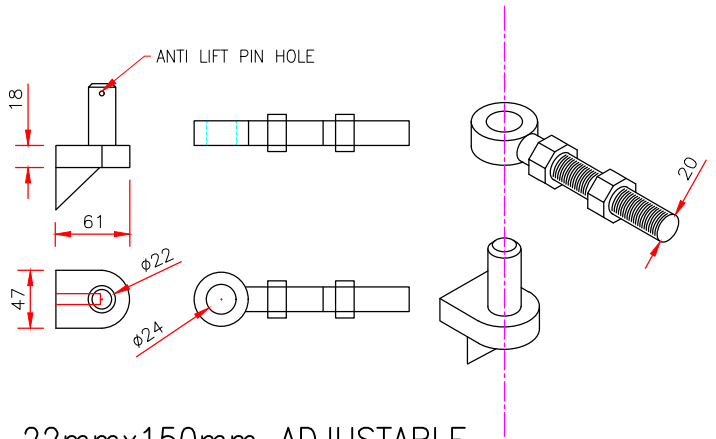
FINISH: HOT DIP GALVANISED TO BS EN ISO 1461 OR GALVANISED AND POWDER COATED



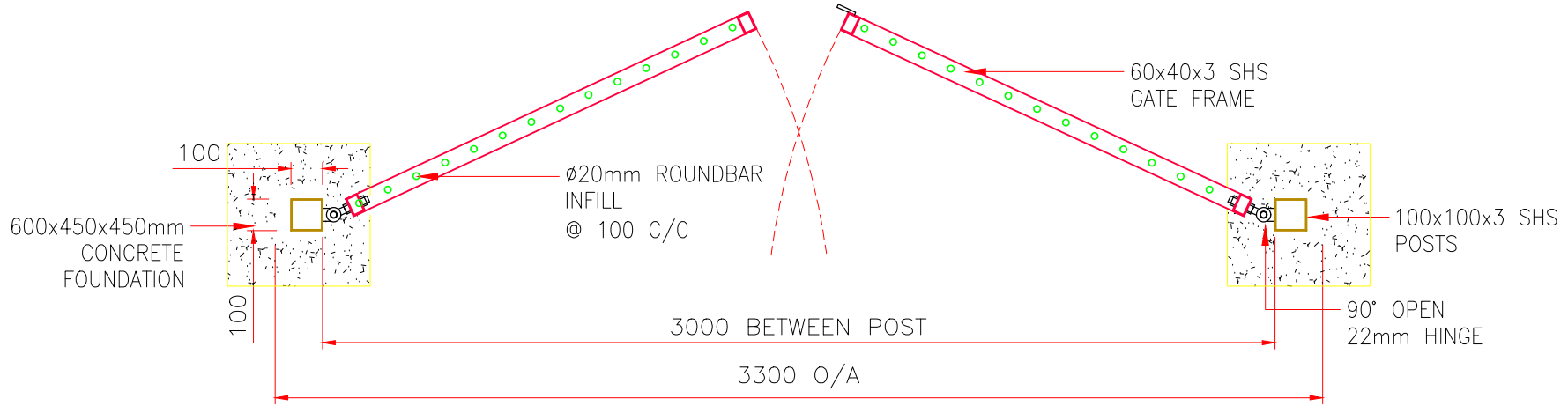
DOUBLE LEAF GATE ELEVATION  
VIEWED FROM OUTSIDE



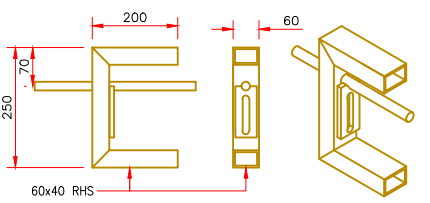
TYPICAL DROP BOLT DETAIL  
VIEWED FROM INSIDE



22mmx150mm ADJUSTABLE  
HINGE ASSEMBLY



PLAN VIEW



SHOOT BOLT ASSEMBLY

REV:	DATE:	DESCRIPTION:
A	02/07/19	AS PER CUSTOMER COMMENTS

PATH:

**Irish Fencing Services**  
SECURE • ENHANCE • PROTECT  
Dublin - Cork - Newry  
Irish Fencing & Services  
Unit 21, Jamestown Business Park,  
Kilmore Way, Dublin 8  
Tel: +353(0) 1 6268363 | Fax: +353(0) 1 6262309  
www.irishfencing.com

STANDARD SALES DRAWING 2019

TITLE **IRFEN®**  
**DOUBLE LEAF ROUND BAR GATE**

SCALE	N.T.S	DATE	17/11/20
DRAWN	PP	CHECKED	TH
APPROVED	TH	REV.	A