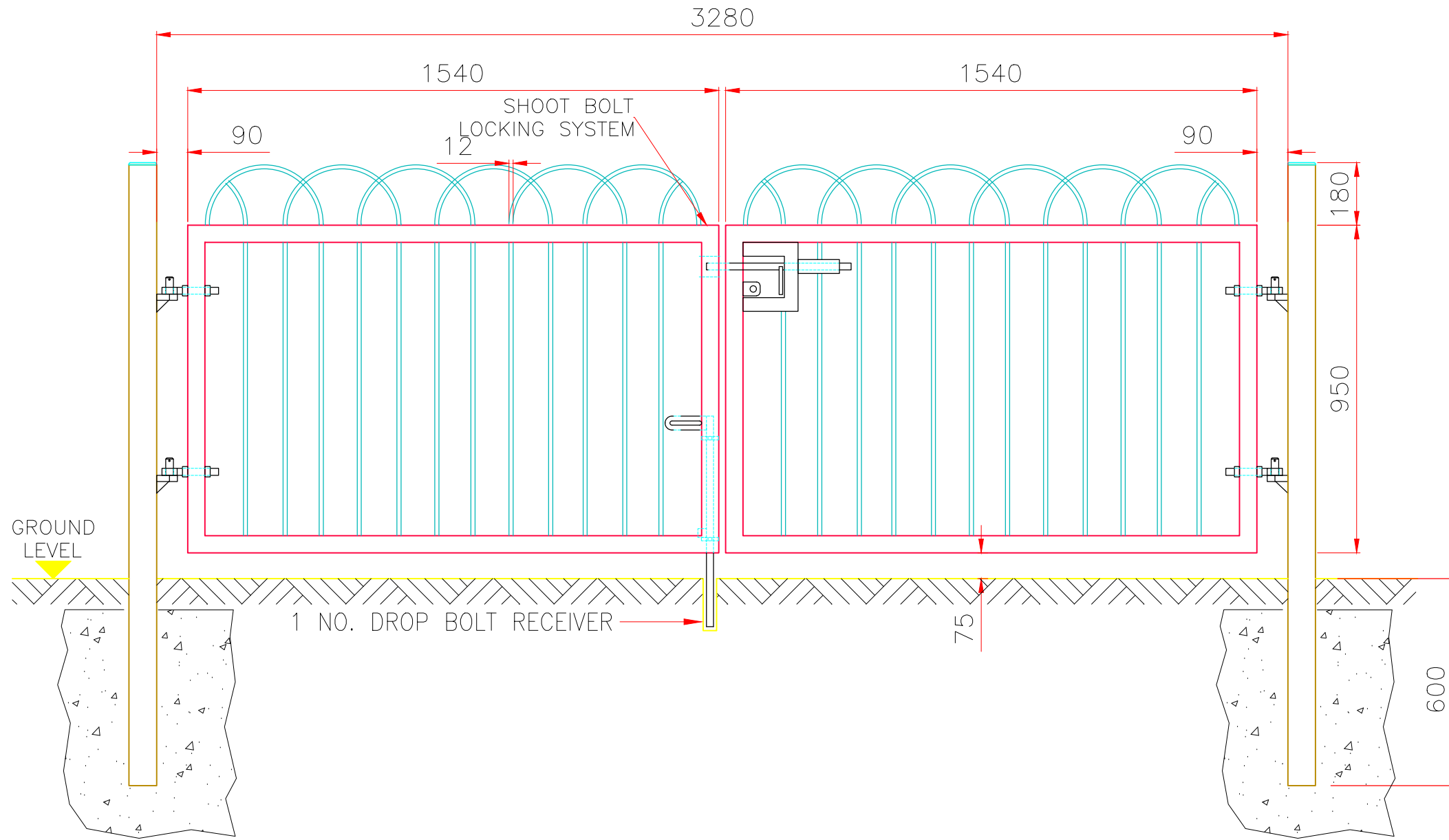
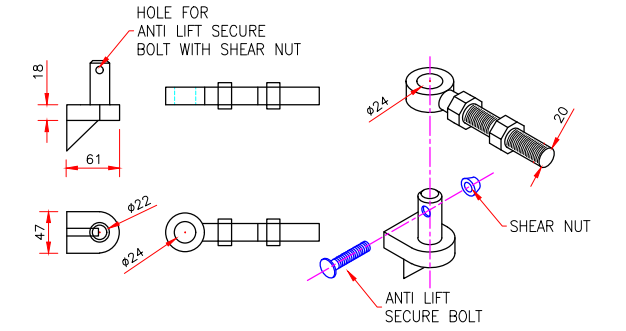


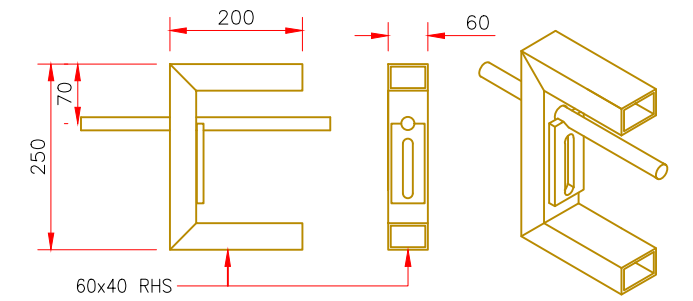
FINISH: HOT DIP GALVANISED
TO BS EN ISO 1461 OR
GALVANISED AND POWDER COATED



DOUBLE LEAF GATE ELEVATION
VIEWED FROM OUTSIDE



22mmx150mm ADJUSTABLE
HINGE ASSEMBLY



SHOOT BOLT ASSEMBLY

REV:	DATE:	DESCRIPTION:
PATH:		
 Irish Fencing Services SECURE • ENHANCE • PROTECT Dublin - Cork - Newry Irish Fencing & Services Unit 21, Jamestown Business Park, Kilmore Way, Dublin 8 Tel: +353(0) 1 6268363 Fax: +353(0) 1 6262309 www.irishfencing.com		
STANDARD SALES DRAWING 2020		
TITLE		
DL INTERLACED BOW TOP GATE		
SCALE	N.T.S	DATE
DRAWN	CHECKED	APPROVED
DR	TH	TH
DRG No.		REV.