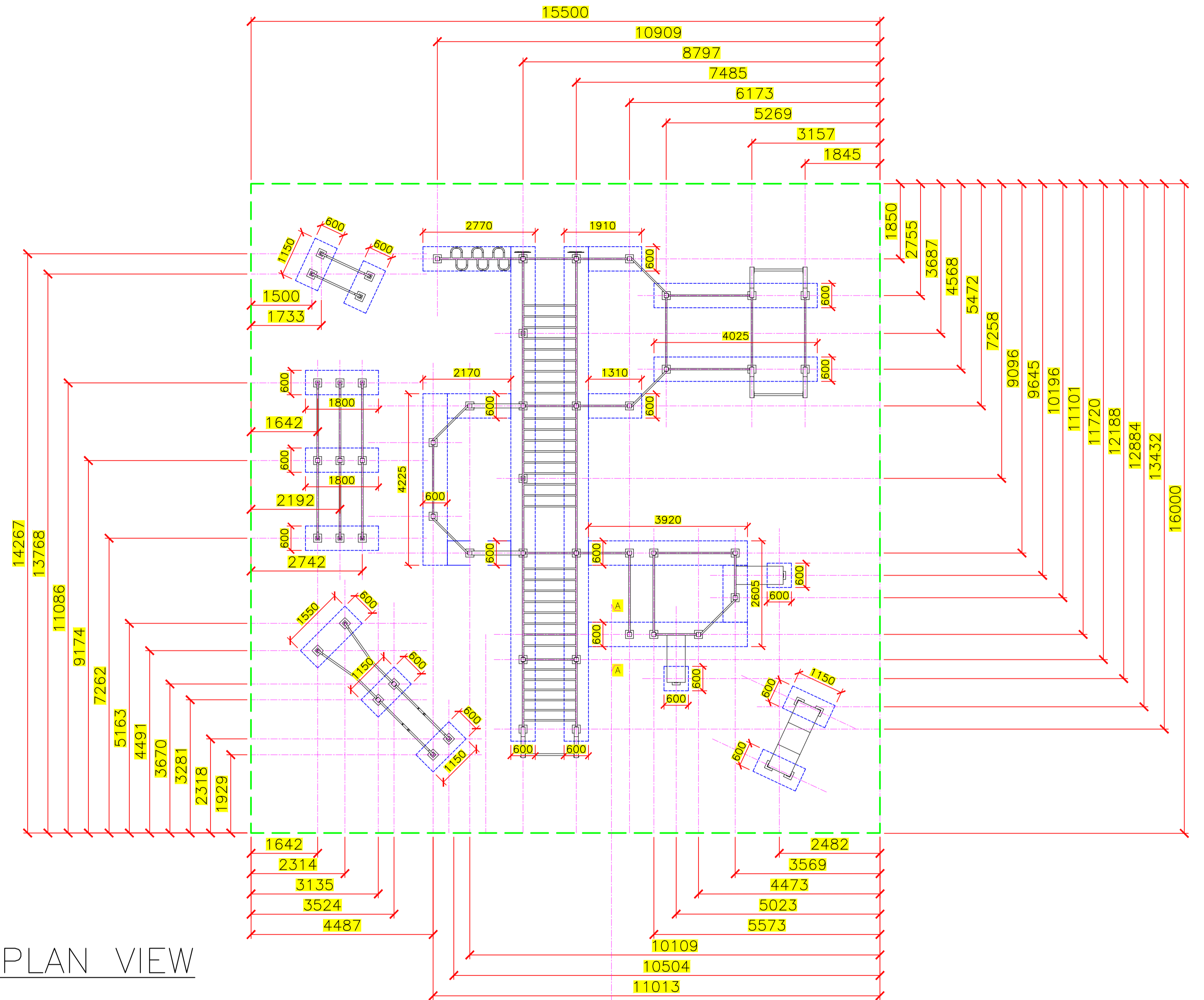
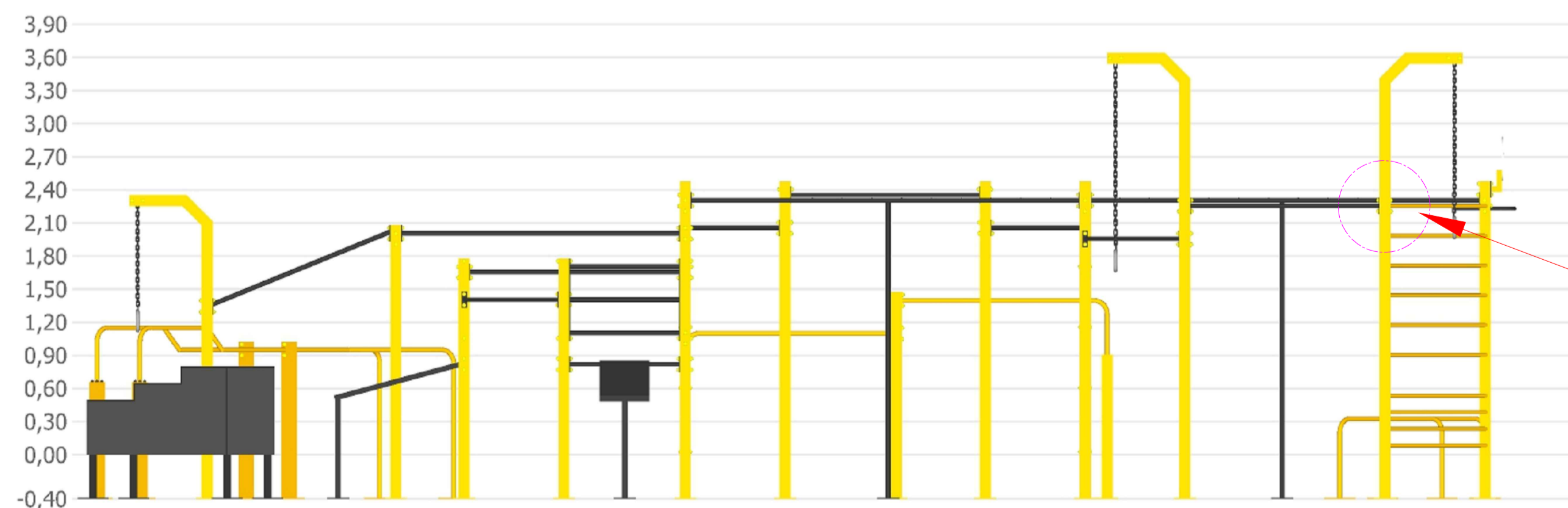


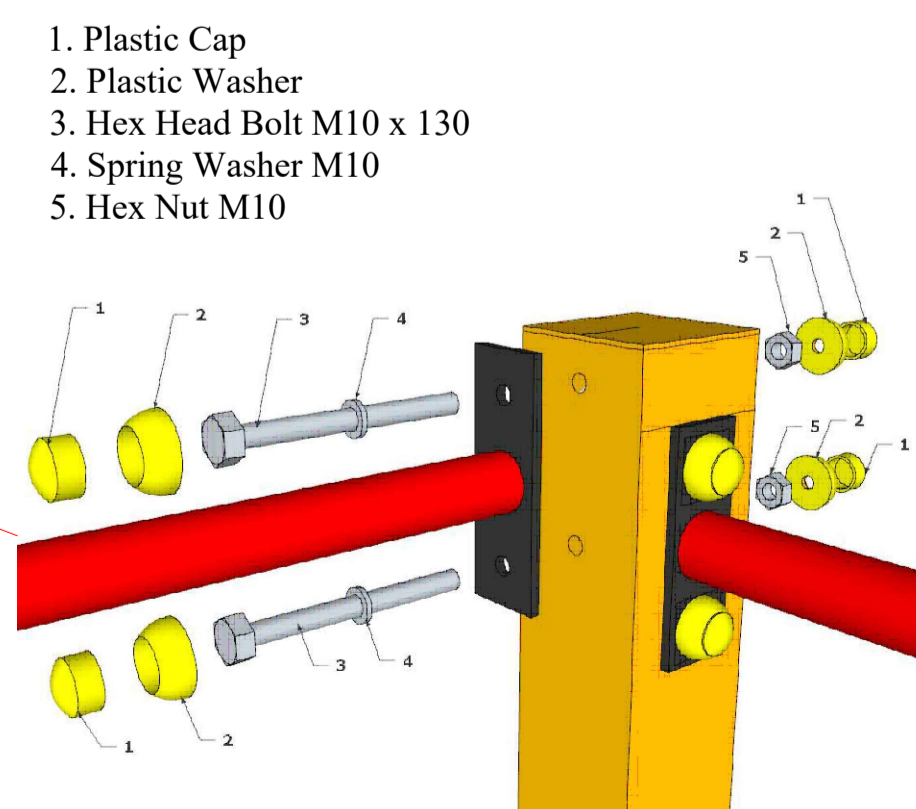
ISOMETRIC VIEWS



PLAN VIEW

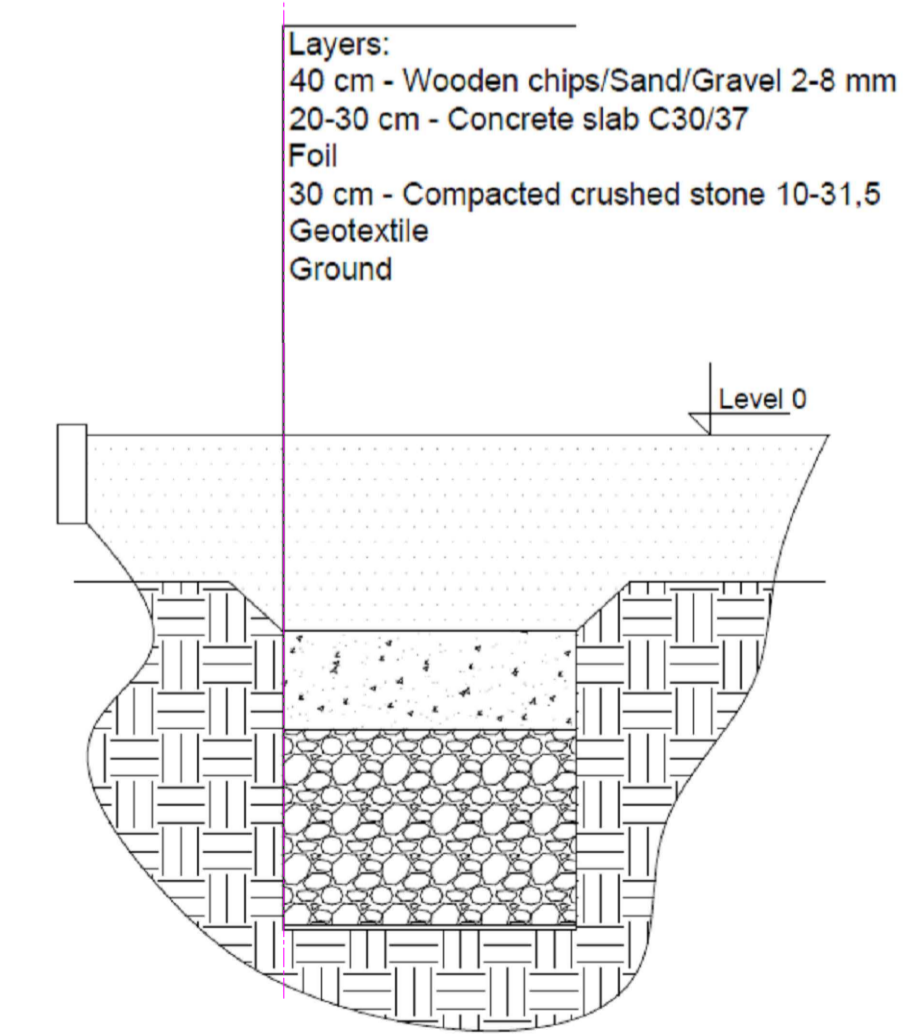


SIDE VIEW



1. Plastic Cap
2. Plastic Washer
3. Hex Head Bolt M10 x 130
4. Spring Washer M10
5. Hex Nut M10

RAILS AND POST
FIXING ASSEMBLY



FOUNDATION SLAB
'A-A' SECTION

ALL DIMENSIONS TO BE
CONFIRMED ON SITE

REV.	DATE:	DESCRIPTION:
PATH:		
Irish Fencing Services <small>SECURE • ENHANCE • PROTECT</small> Dublin - Cork - Newry Irish Fencing & Services Unit 21, Jamestown Business Park, Kilmore Way, Dublin 8 Tel: +353(0)1 4266861 Fax: +353(0)1 4262399 www.irishfencing.com		
STANDARD SALES DRAWING		
TITLE		IRFEN®
CALLISTHENICS PARK		- GENERAL WORKOUT AREA
DETAILS		
SCALE	N.T.S	DATE
		03/08/23
DRAWN	CHECKED	APPROVED
PP	SW	SW
DRG No. CP-C200		REV.