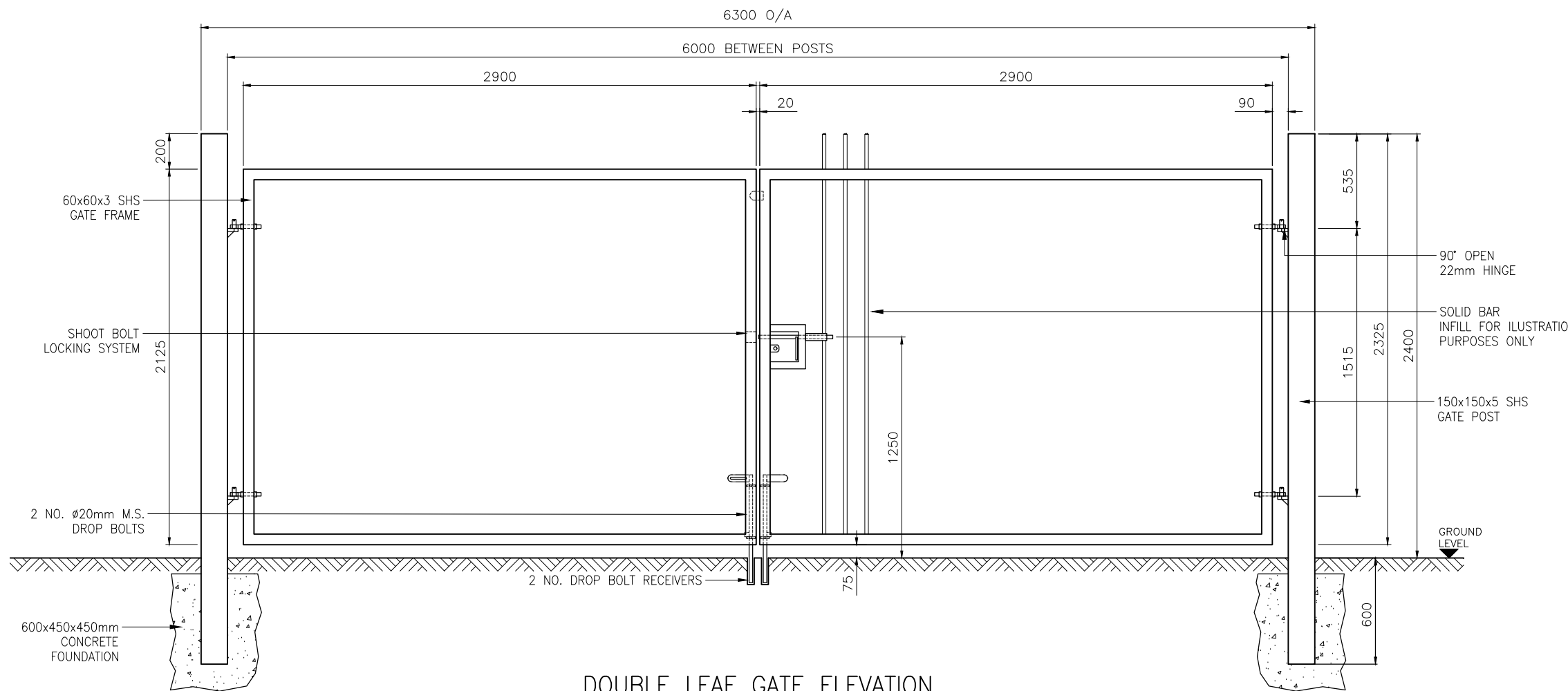
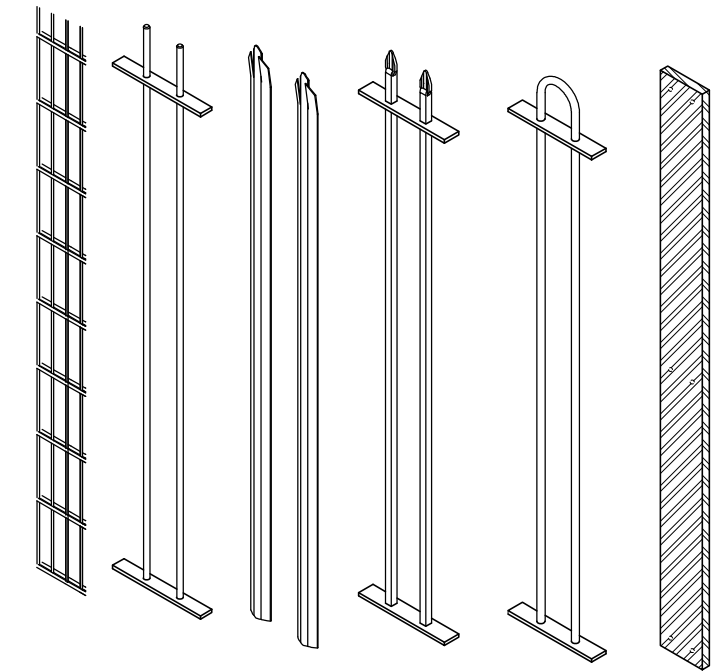


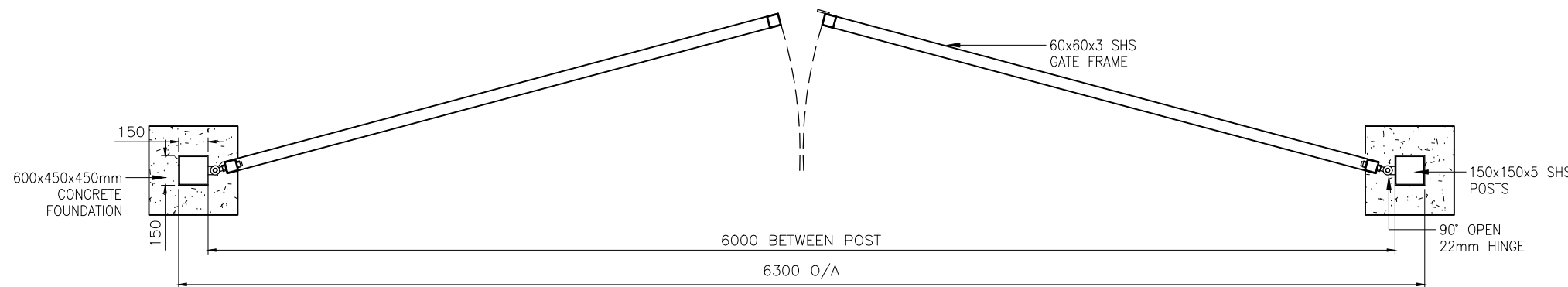
FINISH: HOT DIP GALVANISED
TO BS EN ISO 1461 OR
GALVANISED AND POWDER COATED

GATES CAN BE FINISHED WITH
INFILL TO SUIT CLIENTS
SPECIFICATION.

SECTIONS BELOW ILLUSTRATE
SEVERAL POSSIBLE INFILL OPTIONS.

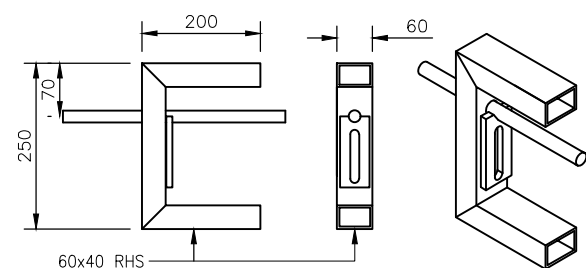
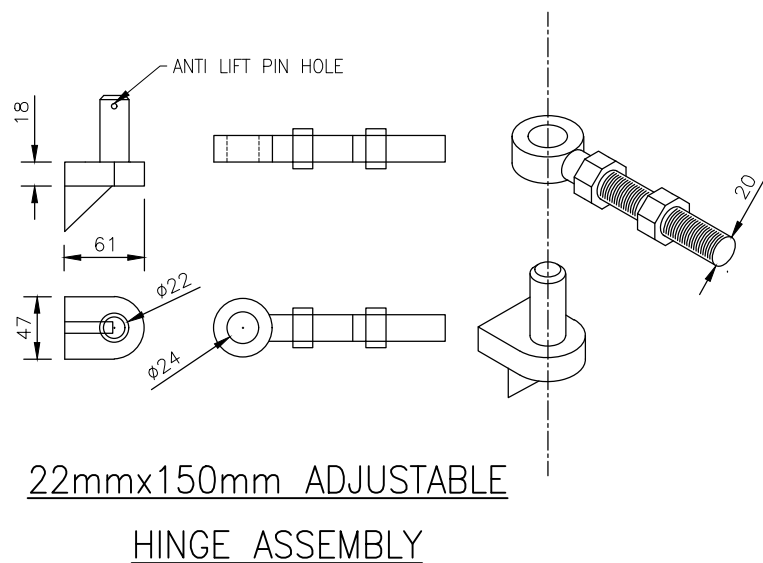


DOUBLE LEAF GATE ELEVATION
VIEWED FROM OUTSIDE

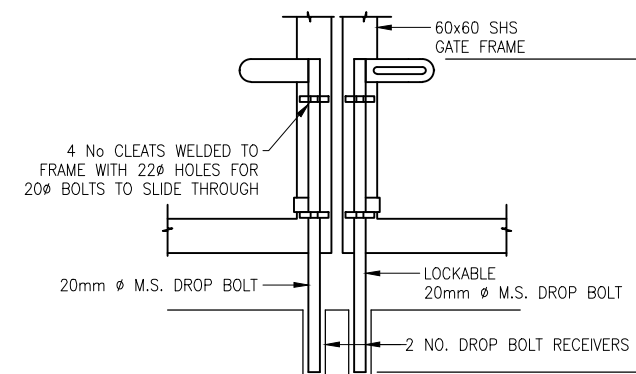


PLAN VIEW

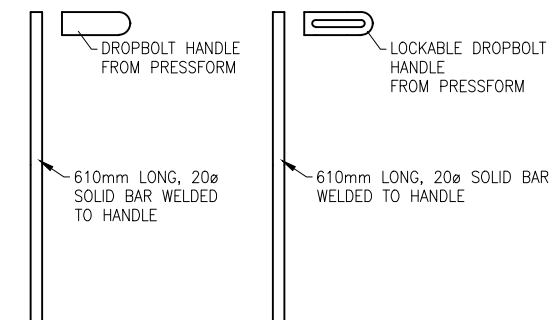
GATE COMPONENT SPECIFICATION		
LENGTH	Gate Frame	Posts
UP TO 1.2m	60 x 60mm SHS	80 x 80 SHS
1.2m to 5m	60 x 60mm SHS	100 x 100 SHS
5m to 6m	60 x 60mm SHS	150 x 150 SHS
OVER 6m	60 x 60mm SHS	200 x 200 SHS



SHOOT BOLT ASSEMBLY



TYPICAL DROP BOLT DETAIL
VIEWED FROM INSIDE



REV:	DATE:	DESCRIPTION:
PATH:		
 Irish Fencing Services <small>SECURE • ENHANCE • PROTECT</small> Dublin - Cork - Newry Irish Fencing & Services Unit 21, Jamestown Business Park, Kylesmea Way, Dublin 8 Tel: +353(0) 1 6268363 Fax: +353(0) 1 6262309 www.irishfencing.com		
STANDARD SALES DRAWING 2018		
TITLE		IRFEN®
		GENERIC 6m DOUBLE LEAF GATE
SCALE	N.T.S	DATE 18/09/18
DRAWN PP	CHECKED SW	APPROVED SW
DRG No. G-0202	REV.	