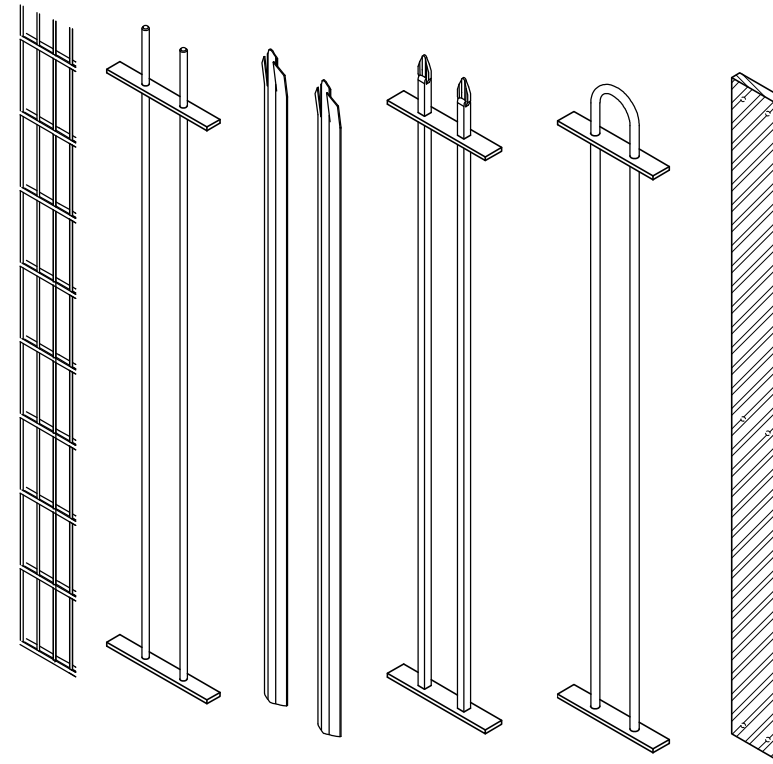


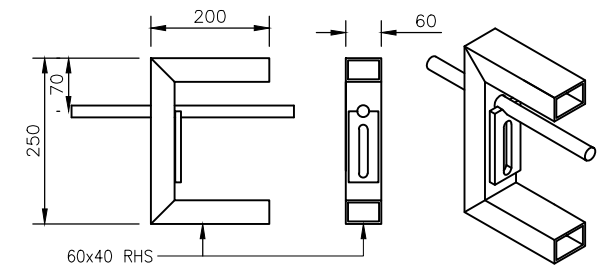
**SINGLE LEAF GATE**  
VIEW FROM OUTSIDE

GATES CAN BE FINISHED WITH INFILL TO SUIT CLIENTS SPECIFICATION.

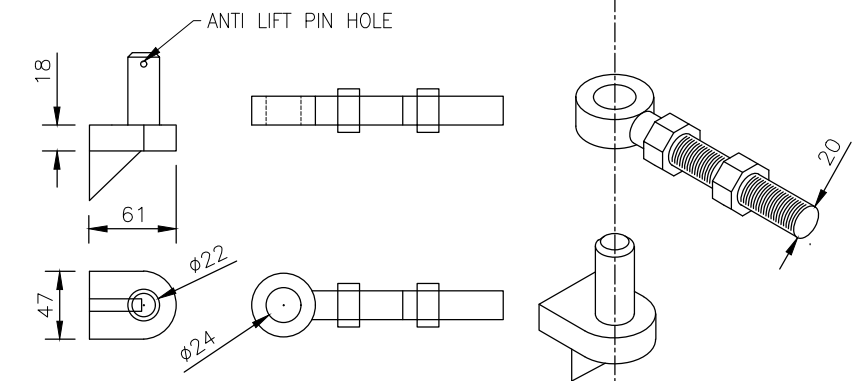
SECTIONS BELOW ILLUSTRATE SEVERAL POSSIBLE INFILL OPTIONS.



FINISH: HOT DIP GALVANISED TO BS EN ISO 1461 OR GALVANISED AND POWDER COATED

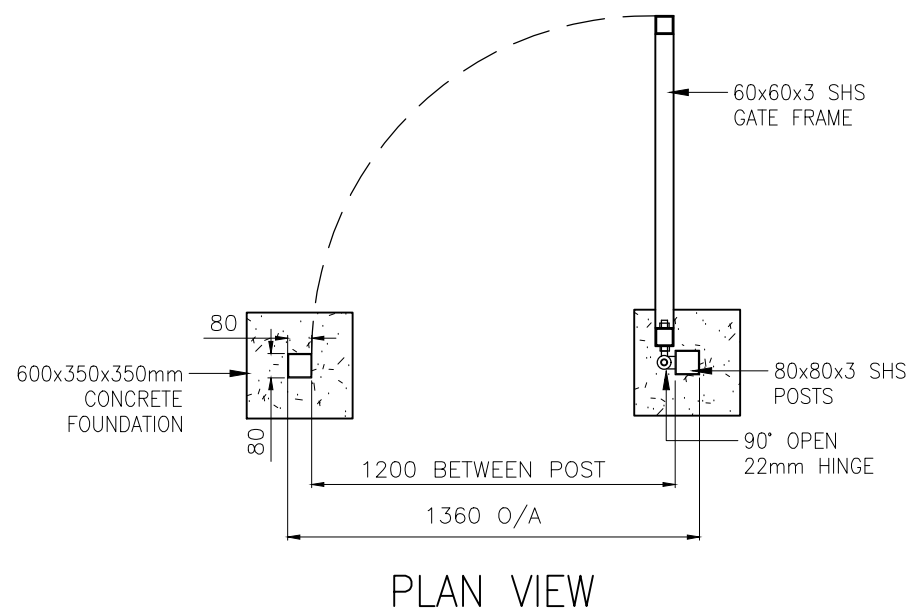


**SHOOT BOLT ASSEMBLY**

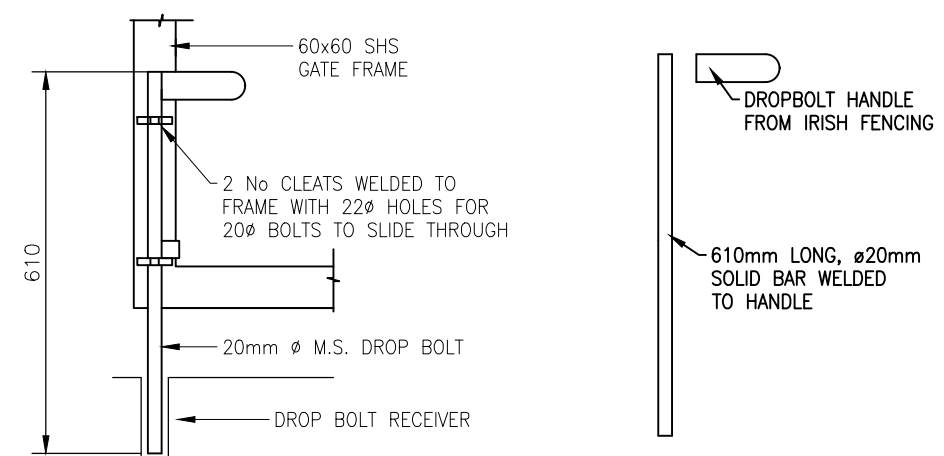


**22mmx150mm ADJUSTABLE HINGE ASSEMBLY**

GATE COMPONENT SPECIFICATION		
LENGTH	Gate Frame	Posts
UP TO 1.2m	60 x 60mm SHS	80 x 80 SHS
1.2m to 5m	60 x 60mm SHS	100 x 100 SHS
5m to 6m	60 x 60mm SHS	150 x 150 SHS
OVER 6m	60 x 60mm SHS	200 x 200 SHS



**PLAN VIEW**



**TYPICAL DROP BOLT DETAIL**  
VIEWED FROM INSIDE

REV:	DATE:	DESCRIPTION:
PATH:		
<b>Irish Fencing Services</b> SECURE • ENHANCE • PROTECT Dublin - Cork - Newry Irish Fencing & Services Unit 21, Jamestown Business Park, Kylesmore Way, Dublin 8 Tel: +353(0) 1 6268363   Fax: +353(0) 1 6262309 www.irishfencing.com		
STANDARD SALES DRAWING 2018		
TITLE		IRFEN®
GENERIC SINGLE LEAF GATE		
SCALE	N.T.S	DATE 18/09/18
DRAWN PP	CHECKED SW	APPROVED SW
DRG No. G-0101		REV.